

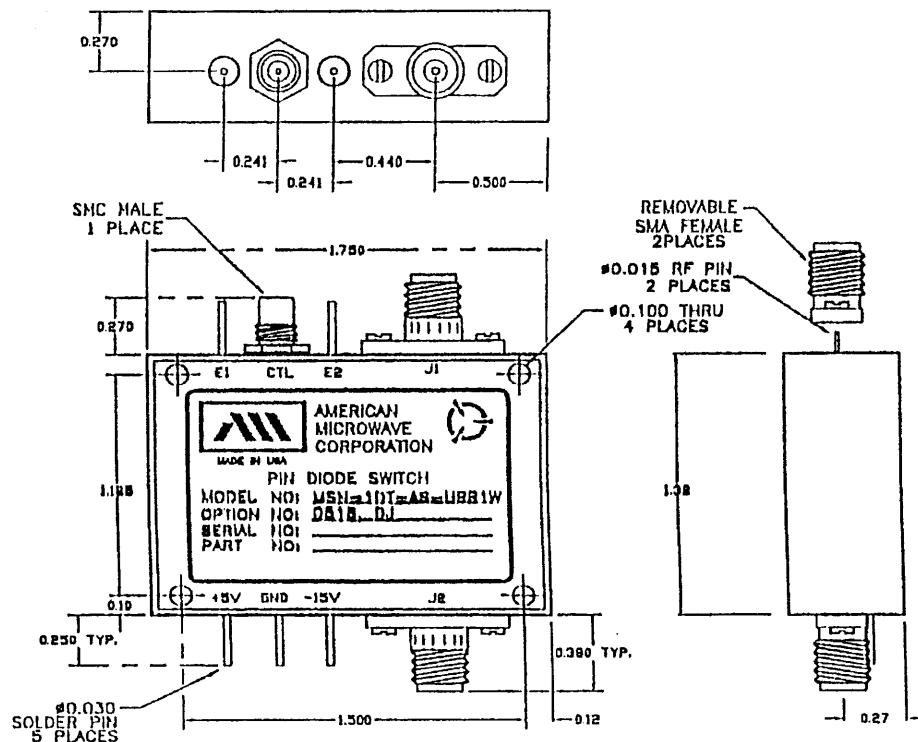
**DESCRIPTION**

AMC MODEL MSN-1DT-AS-HPR1W OPTION 051B, DJ IS A SINGLE POLE SINGLE THROW, ABSORPTIVE /NON-REFLECTIVE SWITCH MODULE WITH THE CAPABILITY OF ADJUSTING THE RISE TIME IN FOUR DISCRETE STEPS OF 25 nS ±10 nS, 50 nS ±10 nS, 75 nS ±10 nS AND 100 nS ±15 nS THROUGH A 2 BIT DECODER VIA SOLDER PINS AND WITH LOW INSERTION LOSS, HIGH ISOLATION, INTEGRAL TTL DRIVER AND POWER HANDLING OF 1 WATT CW.

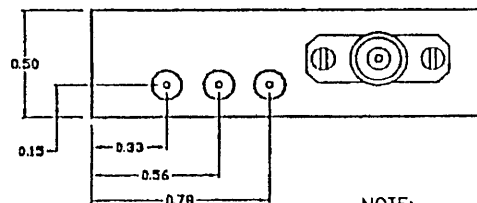
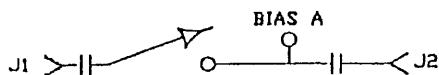
ZONE		REV.	DESCRIPTION	DATE	APPROVED
			ORIGINAL JOB # 80357-1,2E, 909165	01/10/00	

**SPECIFICATIONS:**

- FREQUENCY: ..... 0.5 GHz TO 18 GHz
- INSERTION LOSS: ..... 3.5dB TYPICAL, 3.75 dB MAXIMUM
- ISOLATION: ..... 85 dB MINIMUM, 90 dB TYPICAL
- VSWR: ..... 2.0:1 MAXIMUM
- SPEED: ..... ADJUSTABLE RISE TIME THROUGH A 2 BIT INTERNAL DECODER VIA SOLDER PINS. RISE TIME WILL BE IN FOUR DISCRETE STEPS.  
 25 nS ±10 nS  
 50 nS ±10 nS  
 75 nS ±10 nS  
 100 nS ±15 nS
- POWER HANDLING: ..... 1WATT CW, 2 WATTS (SURVIVAL).
- POWER SUPPLY: ..... +5V @ 150 mA MAX.  
 -15V @ 100 mA MAX
- POWER SUPPLY CONNECTION: ..... SOLDER PINS
- CONTROL CONNECTOR: ..... SMC COAXIAL CONNECTOR FOR ON/OFF TTL CONTROL
- SIZE: ..... 1.75" x 1.32" x 0.50"
- WEIGHT: ..... 1.80 OUNCE TYPICAL



**BLOCK DIAGRAM**



NOTE: DT=WITH DRIVER, NON-REFLECTIVE/ABSORPTIVE

**ENVIRONMENTAL RATINGS:**

- TEMPERATURE: ..... -55°C TO +85°C (OPERATING)  
 -65°C TO +125°C (STORAGE)
- HUMIDITY: ..... MIL-STD-202F, METHOD 103B COND. B
- SHOCK: ..... MIL-STD-202F, METHOD 213B COND. B
- VIBRATION: ..... MIL-STD-202F, METHOD 204D COND. B
- ALTITUDE: ..... MIL-STD-202F, METHOD 105C COND. B
- TEMPERATURE CYCLE: ..... MIL-STD-202F, METHOD 107D COND. A

ALL DIMENSIONS ARE IN INCHES  
 TOLERANCES:  
 X.XX ±0.020  
 X.XXX ±0.010

NOTE: THE ABOVE SPECIFICATIONS ARE SUBJECT TO CHANGE OR REVISION

PART NO.		AMERICAN MICROWAVE CORPORATION FREDERICK, MARYLAND	
APPROVALS	DATE	TITLE	
DRAWN WSP, RRd	01/10/00	OUTLINE DRAWING MSN-1DT-AS-HPR1W 051B, DJ NON-REFLECTIVE/ABSORPTIVE	
CHECKED WJ	1/20/00	SOLID STATE SWITCH WITH VARIABLE RISE TIME	
ISSUED PA	1/20/00	SIZE A	FSCU NO. 60483
		DWG NO. 100-3447-6	REV. -
SCALE		SHEET 1 of 3	